

[www.hy-lok.com](http://www.hy-lok.com)

Catalog No. H-270RF  
Mar. 2011

# RS Fittings

for Rolling Stock & General Service



**HY-LOK CORPORATION**

© 2011 HY-LOK CORPORATION All rights reserved

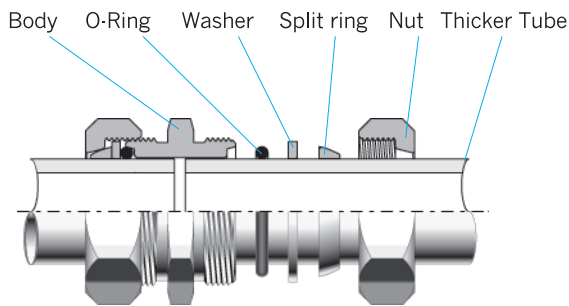


## Features

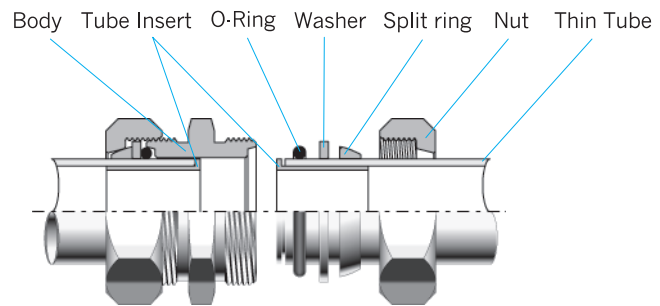
### Design

#### RS fittings are designed :

- To assemble plain end metal or flexible tubes from 1/8"(10.2mm O.D.) to 2"(60.3mm O.D.) or 6mm O.D. to 57mm O.D. only with two open end wrenches.
- To avoid any operation on the tubes which are to be assembled : no thread, no solder, no open out tubes, no sealed ring.
- To stand, according to outside diameters, service pressures to 200 bars(for 6mm O.D. tube) or to 40 bars(for a 60.3mm O.D. tube)
- **RS Fittings are manufactured under ISO 9001 procedures and are totally complying with UIC 803-35 OR.**



Thicker wall thickness Tube.



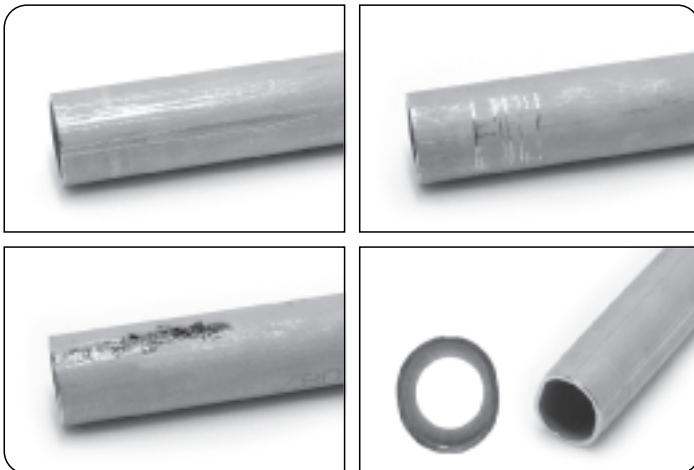
Thin wall thickness Tube.

### Advantage

- Axial disalignment for each tube  $\geq 3^\circ$
- Large tolerances on tube diameters and tube lengths
- Excellent resistance to vibrations, pressures and temperatures
- Easy to assemble so as to save on tools and work
- Fully dismountable and recoverable fittings.

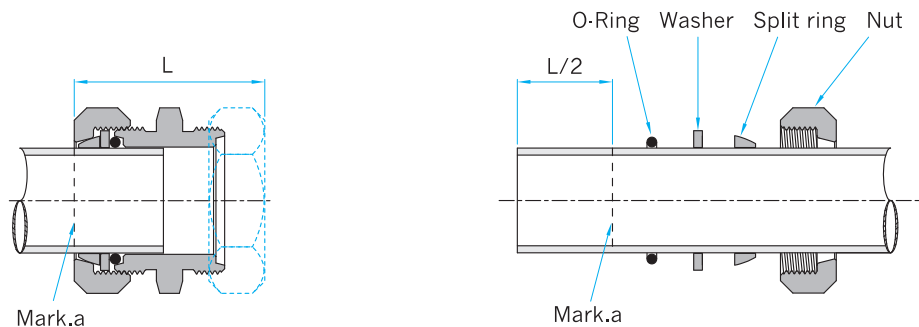
### Check points of Tube handling

- Prevent defects and scratches when shipping tube
- Pollutants in side and out side of Tube
- Roundness and Concentricity



### How To Assemble

- Step 1** ■ Check the tolerances on outside diameter of the tube and deburr end of this tube.
- Step 2** ■ Assemble in order the following elements on the tube :
- Step 3** ■ Mark (a) the tube of about distance L/2
- Step 4** ■ Bring the tube inside the sleeve, of half length of this last.
- Step 5** ■ Start screwing the nut on the sleeve (the "a" mark on the tube must be visible at the level of the back of nut).  
The O-Ring is thus compressed in the housing formed by the groove of the sleeve and the washer : airtightproof is reached.  
Go on screwing the nut, respecting the sealing torques indicated the split ring is contracted and holds mechanically the tube.
- Step 6** ■ Assembly is correctly achieved when the mark (a) is visible after the final screwing.



### Pressure Rating

The fitting is warranted for any pneumatic application with working pressures up to 20 bars. There should be used a Grooves Split Tapered Ring, when the pressure condition is over 10 bar.

Tube O.D. (mm)	Service Pressure With Gas (bar)	Service Pressure With Liquids (bar)	Test Pressure With Liquids (bar)
6.0	20	200	400
8.0			
10.0			
10.2			
12.0		100	200
13.5			
15.0			
16.0			
17.2			
18.0			
20.0			
21.3			
22.0		80	160
25.0			
26.9			
28.0			
30.0			
33.7			
35.0		40	80
38.0			
42.4			
44.5			
48.3			
57.0			
60.3			

\* This pressure information is given for standard temperature limits and working conditions without any pressure shocks, after respecting the assembly instructions.

### Sealing Torques

Torque values for standard tube thicknesses ( $\geq 2$  mm) and for operating pressure of 20 bars.

Tube O.D (mm)	Copper Tube (N.m)	Aluminium Tube (N.m)	Steel and Stainless Steel Tube (N.m)
6.0	16	25	35
8.0	20	30	40
10.0	25	35	50
10.2	25	35	50
12.0	28	38	50
13.5	32	45	65
15.0	36	60	85
16.0	36	60	85
17.2	40	60	85
18.0	48	65	95
20.0	48	70	100
21.3	50	75	100
22.0	50	78	105
25.0	63	90	145
26.9	70	110	150
28.0	70	110	155
30.0	80	110	160
33.7	90	125	180
35.0	90	130	185
38.0	110	150	230
42.4	125	180	265
44.5	130	210	295
48.3	150	230	315
57.0	180	290	390
60.3	210	310	420

## Ordering Information

### Example 1. Straight Union

$\frac{A}{\textcircled{1}} \frac{RSU}{\textcircled{2}} \cdot \frac{30M}{\textcircled{3}} \cdot \frac{N}{\textcircled{5}} \cdot \frac{E}{\textcircled{6}} \cdot \frac{S316}{\textcircled{7}}$

### Example 2. Male Connector

$\frac{A}{\textcircled{1}} \frac{RSOM}{\textcircled{2}} \frac{08}{\textcircled{3}} \cdot \frac{8G}{\textcircled{4}} \cdot \frac{V}{\textcircled{5}} \cdot \frac{A}{\textcircled{6}} \cdot \frac{STEL}{\textcircled{7}}$

### Example 3. Reducing Union Adaptor

$\frac{A}{\textcircled{1}} \frac{RKR}{\textcircled{2}} \frac{30M}{\textcircled{3}} \cdot \frac{08}{\textcircled{3}} \cdot \frac{HN}{\textcircled{5}} \cdot \frac{D}{\textcircled{6}} \cdot \frac{STEL}{\textcircled{7}}$

### Example 4. Stub Female Adaptor

$\frac{A}{\textcircled{1}} \frac{RSAF}{\textcircled{2}} \frac{30M}{\textcircled{3}} \cdot \frac{08G}{\textcircled{4}} \cdot \frac{E}{\textcircled{5}} \cdot \frac{G}{\textcircled{6}} \cdot \frac{S316}{\textcircled{7}}$

### Example 5. Banjo Fitting

$\frac{A}{\textcircled{1}} \frac{RKBJ}{\textcircled{2}} \frac{08}{\textcircled{3}} \cdot \frac{M39}{\textcircled{4}} \cdot \frac{N}{\textcircled{5}} \cdot \frac{C}{\textcircled{6}} \cdot \frac{STEL}{\textcircled{7}}$

### Example 6. Stub Male Elbow

$\frac{A}{\textcircled{1}} \frac{RSLM}{\textcircled{2}} \frac{08}{\textcircled{3}} \cdot \frac{M39}{\textcircled{4}} \cdot \frac{HN}{\textcircled{5}} \cdot \frac{B}{\textcircled{6}} \cdot \frac{STEL}{\textcircled{7}}$

- ① Assembly with Nut, Split Ring and O-Ring.
- ② Name of Fitting : "Refer to Index"
- ③ Tube O.D. : See Tube O.D. Designator
- ④ Thread Connection : See Thread Designator
- ⑤ O-Ring Seal : O-Ring (Refer to seal materials)
- ⑥ Split Ring : See Split Ring Designator
- ⑦ Material : See Material Designator

### ■ Tube O.D. Designator

Tube O.D.	6mm	8mm	12mm	.....	44,5mm	57mm
Identifier	6M	8M	12M	.....	44,5M	57M

Nominal Pipe Size ISO 4200	1/8" (10.2mm)	1/4" (13.5mm)	3/8" (17.2mm)	1/2" (21.3mm)	3/4" (26.9mm)	1" (33.7mm)	1 1/4" (42.4mm)	1 1/2" (48.3mm)	2" (60.3mm)
Identifier	01	02	03	04	06	08	10	12	16

### ■ Thread Designator(BSP/Parallel)

Nominal Size	1/8"	1/4"	3/8"	1/2"	3/4"	1"	1 1/4"	1 1/2"	2"
Identifier	01G	02G	03G	04G	06G	08G	10G	12G	16G

### ■ Thread Designator(ISO Metric)

Size	M10x1.0P	M12x1.0P	M14x1.5P	M16x1.5P	M18x1.5P	M20x1.5P	M22x1.5P
Identifier	M10	M12	M14	M16	M18	M20	M22

Size	M24x1.5P	M27x1.5P	M30x1.5P	M33x2.0P	M39x2.0P	M42x2.0P	M48x2.0P
Identifier	M24	M27	M30	M33	M39	M42	M48

### ■ O-Ring Designator

Materials	Temp Range	Identifier	Application
SILICON	-50°C / +200°C	Standard	
NBR standard	-20°C / +120°C	N	Air compressed, butane, propane...
NBR low temperature	-45°C / +110°C	HN	Air compressed, butane, propane...
EPDM	-50°C / +150°C	E	Water and steam, ozon...
VITON	-20°C / +250°C	V	Liquid or gaseous Hydrocarbons...

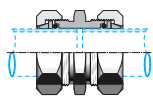
### ■ Split Ring Designator

Materials of Tube	Identifier	Split Ring
Carbon steel tube, standard range	A	Steel spring ring
Thin carbon steel tube	B	Steel split tapered ring
Steel tubes with high pressure	C	Steel split tapered ring with grooves
Brass tube	D	Brass split tapered ring
Stainless steel	E	Stainless steel split tapered ring
Stainless tubes with high pressure	F	Stainless split tapered ring with grooves
Aluminium tube	G	Aluminium split tapered ring

### ■ Material Designator

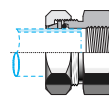
Material	Carbon Steel	Stainless Steel
Identifier	STEL	S316

Straight Union  
**RSU**



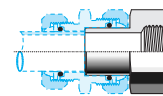
6

Female Connector (ISO Metric)  
**RSFC-M**



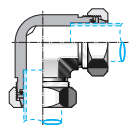
14

Stub Female Adaptor (BSP Paralleled)  
**RSAF-G**



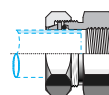
22

Union Elbow  
**RSL**



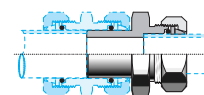
7

Female Connector (BSP Paralleled)  
**RSFC-G**



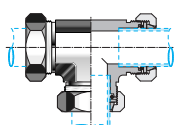
15

Reducing Union Adaptor  
**RSR**



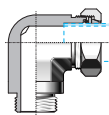
23

Union Tee  
**RST**



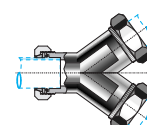
8

Stud Male Elbow (ISO Metric)  
**RSLM-M**



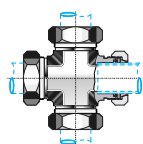
16

Y-Branch  
**RSYB**



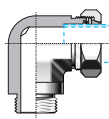
24

Union Cross  
**RSC**



9

Stud Male Elbow (BSP Paralleled)  
**RSLM-G**



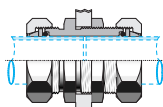
17

Tube Insert  
**RSI**



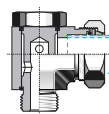
24

Bulkhead Union  
**RSBU**



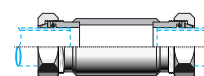
10

Banjo Elbow Fitting  
**RSBJ**



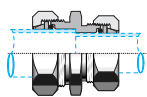
18

Bridge Coupling  
**RSBC**



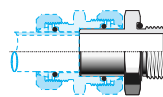
25

Reducing Union  
**RSUR**



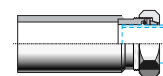
11

Stub Male Adaptor (ISO Metric)  
**RSA-M**



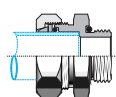
19

Bridge Half Coupling  
**RSBHC**



26

Male Connector (ISO Metric)  
**RSOM-M**



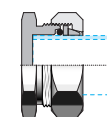
12

Stub Male Adaptor (BSP Paralleled)  
**RSA-G**



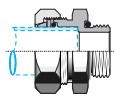
20

Plug  
**RSP**



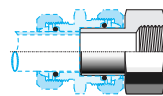
27

Male Connector (BSP Paralleled)  
**RSOM-G**



13

Stub Female Adaptor (ISO Metric)  
**RSAF-M**



21

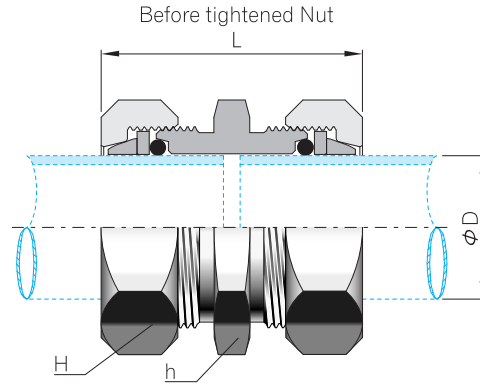
Cap  
**RSCA**



27

# RS Fittings

## Straight Union RSU

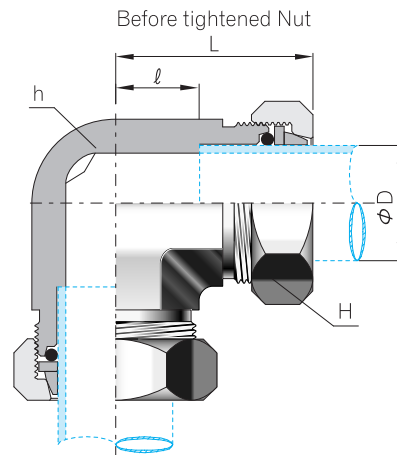


Part No.	Tube O.D. D	h	H	L
RSU - 6M	6.0	14	17	32.5
RSU - 8M	8.0	17	19	32.5
RSU - 10M	10.0	19	22	35.0
RSU - 12M	12.0	22	24	37.0
RSU - 14M	14.0	24	27	37.0
RSU - 15M	15.0	24	27	41.0
RSU - 16M	16.0	27	30	41.0
RSU - 18M	18.0	27	30	43.0
RSU - 20M	20.0	30	32	46.0
RSU - 22M	22.0	36	36	46.5
RSU - 25M	25.0	36	41	47.5
RSU - 28M	28.0	41	46	47.5
RSU - 30M	30.0	46	46	54.5
RSU - 35M	35.0	46	50	58.0
RSU - 38M	38.0	50	55	57.0
RSU - 44.5M	44.5	65	65	64.0
RSU - 57M	57.0	75	80	72.0

Part No.	N.P.S. (O.D.) D	h	H	L
RSU - 01	1/8" (10.2)	19	22	35.0
RSU - 02	1/4" (13.5)	24	27	37.0
RSU - 03	3/8" (17.2)	27	30	42.0
RSU - 04	1/2" (21.3)	32	36	45.5
RSU - 06	3/4" (26.9)	41	46	47.5
RSU - 08	1" (33.7)	46	50	54.5
RSU - 10	1 1/4" (42.4)	60	65	62.0
RSU - 12	1 1/2" (48.3)	65	70	66.0
RSU - 16	2" (60.3)	80	85	78.0

All dimensions are in millimeters, dimensions are for reference only, subject to change.

Union Elbow  
**RSL**



Part No.	Tube O.D. D	h	H	L	ℓ
RSL - 6M	6.0	14	17	23.5	7.0
RSL - 8M	8.0	17	19	27.5	8.0
RSL - 10M	10.0	17	22	28.0	9.5
RSL - 12M	12.0	22	24	33.0	10.5
RSL - 14M	14.0	24	27	33.0	11.0
RSL - 15M	15.0	24	27	36.5	13.0
RSL - 16M	16.0	24	30	36.5	13.0
RSL - 18M	18.0	27	30	37.5	13.5
RSL - 20M	20.0	30	32	43.0	15.5
RSL - 22M	22.0	32	36	44.0	18.0
RSL - 25M	25.0	36	41	46.5	19.5
RSL - 28M	28.0	41	46	46.5	21.0
RSL - 30M	30.0	41	46	51.5	22.0
RSL - 35M	35.0	46	50	57.0	26.0
RSL - 38M	38.0	50	55	60.0	25.0
RSL - 44.5M	44.5	60	65	68.5	33.0
RSL - 57M	57.0	70	80	79.0	33.0

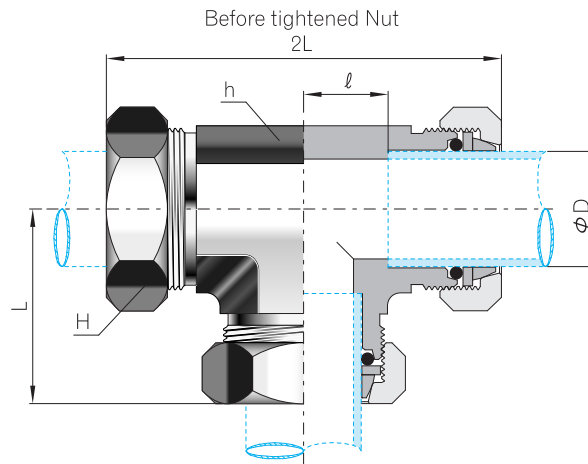
Part No.	N.P.S. (O.D.) D	h	H	L	ℓ
RSL - 01	1/8" (10.2)	17	22	28.0	9.5
RSL - 02	1/4" (13.5)	24	27	33.0	11.0
RSL - 03	3/8" (17.2)	27	30	37.0	14.0
RSL - 04	1/2" (21.3)	32	36	43.0	18.0
RSL - 06	3/4" (26.9)	41	46	46.5	21.0
RSL - 08	1" (33.7)	46	50	55.5	21.0
RSL - 10	1 1/4" (42.4)	60	65	61.0	31.0
RSL - 12	1 1/2" (48.3)	65	70	68.0	33.0
RSL - 16	2" (60.3)	70	85	80.0	33.0

All dimensions are in millimeters. dimensions are for reference only, subject to change.

# RS Fittings

Union Tee

**RST**



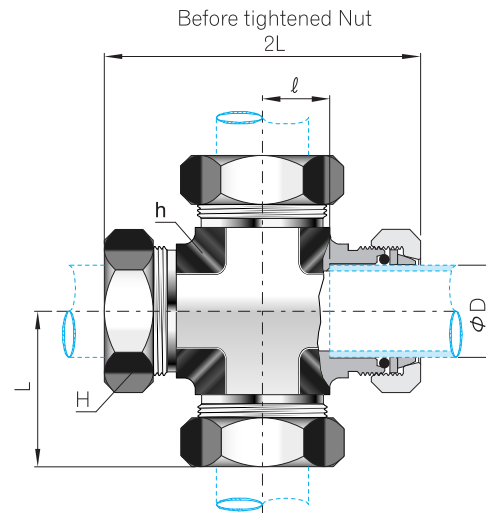
Part No.	Tube O.D. D	h	H	L	l
RST - 6M	6.0	14	17	23.5	7.0
RST - 8M	8.0	17	19	27.5	8.0
RST - 10M	10.0	17	22	28.0	9.5
RST - 12M	12.0	22	24	33.0	10.5
RST - 14M	14.0	24	27	33.0	11.0
RST - 15M	15.0	24	27	36.5	13.0
RST - 16M	16.0	24	30	36.5	13.0
RST - 18M	18.0	27	30	37.5	13.5
RST - 20M	20.0	30	32	43.0	15.5
RST - 22M	22.0	32	36	44.0	18.0
RST - 25M	25.0	36	41	46.5	19.5
RST - 28M	28.0	41	46	46.5	21.0
RST - 30M	30.0	41	46	51.5	22.0
RST - 35M	35.0	46	50	57.0	26.0
RST - 38M	38.0	50	55	60.0	25.0
RST - 44.5M	44.5	60	65	68.5	33.0
RST - 57M	57.0	70	80	79.0	33.0

Part No.	N.P.S. (O.D.) D	h	H	L	l
RST - 01	1/8" (10.2)	17	22	28.0	9.5
RST - 02	1/4" (13.5)	24	27	33.0	11.0
RST - 03	3/8" (17.2)	27	30	37.0	14.0
RST - 04	1/2" (21.3)	30	36	43.0	18.0
RST - 06	3/4" (26.9)	41	46	46.5	21.0
RST - 08	1" (33.7)	46	50	55.5	21.0
RST - 10	1 1/4" (42.4)	60	65	61.0	31.0
RST - 12	1 1/2" (48.3)	65	70	68.0	33.0
RST - 16	2" (60.3)	70	85	80.0	33.0

All dimensions are in millimeters, dimensions are for reference only, subject to change.



Union Cross  
**RSC**



Part No.	Tube O.D. D	h	H	L	l
RSC - 6M	6.0	14	17	23.5	7.0
RSC - 8M	8.0	17	19	27.5	8.0
RSC - 10M	10.0	17	22	28.0	9.5
RSC - 12M	12.0	22	24	33.0	10.5
RSC - 14M	14.0	24	27	33.0	11.0
RSC - 15M	15.0	24	27	36.5	13.0
RSC - 16M	16.0	24	30	36.5	13.0
RSC - 18M	18.0	27	30	37.5	13.5
RSC - 20M	20.0	30	32	43.0	15.5
RSC - 22M	22.0	32	36	44.0	18.0
RSC - 25M	25.0	36	41	46.5	19.5
RSC - 28M	28.0	41	46	46.5	21.0
RSC - 30M	30.0	41	46	51.5	22.0
RSC - 35M	35.0	46	50	57.0	26.0
RSC - 38M	38.0	50	55	60.0	25.0
RSC - 44.5M	44.5	60	65	68.5	33.0
RSC - 57M	57.0	70	80	79.0	33.0

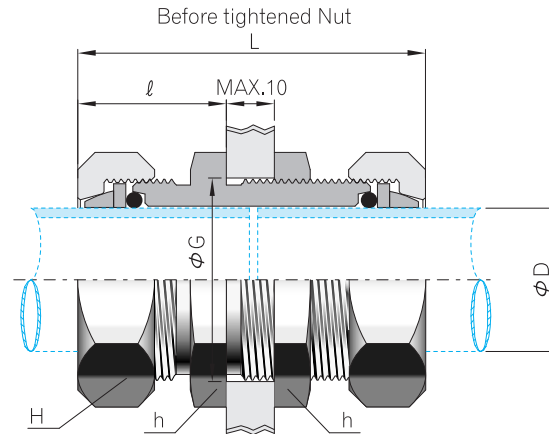
Part No.	N.P.S. (O.D.) D	h	H	L	l
RSC - 01	1/8" (10.2)	17	22	28.0	9.5
RSC - 02	1/4" (13.5)	24	27	33.0	11.0
RSC - 03	3/8" (17.2)	27	30	37.0	14.0
RSC - 04	1/2" (21.3)	30	36	43.0	18.0
RSC - 06	3/4" (26.9)	41	46	46.5	21.0
RSC - 08	1" (33.7)	46	50	55.5	21.0
RSC - 10	1 1/4" (42.4)	60	65	61.0	31.0
RSC - 12	1 1/2" (48.3)	65	70	68.0	33.0
RSC - 16	2" (60.3)	70	85	80.0	33.0

All dimensions are in millimeters. dimensions are for reference only, subject to change.

# RS Fittings

## Bulkhead Union

### RSBU

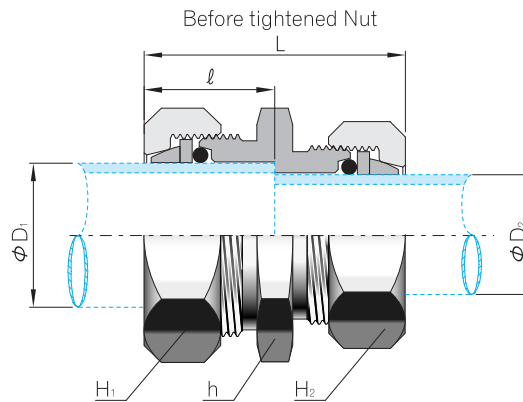


Part No.	Tube O.D. D	h	H	L	l	G
RSBU - 6M	6.0	19	17	46.5	19.0	14.2
RSBU - 8M	8.0	22	19	48.0	20.5	16.2
RSBU - 10M	10.0	24	22	52.0	22.0	18.2
RSBU - 12M	12.0	27	24	53.0	22.0	21.2
RSBU - 14M	14.0	30	27	55.0	24.0	23.3
RSBU - 15M	15.0	30	27	58.0	26.0	24.3
RSBU - 16M	16.0	32	30	59.0	26.0	25.3
RSBU - 18M	18.0	32	30	61.0	27.0	27.3
RSBU - 20M	20.0	36	32	62.0	27.5	29.3
RSBU - 22M	22.0	41	36	64.0	29.0	33.5
RSBU - 25M	25.0	41	41	65.0	29.0	36.5
RSBU - 28M	28.0	46	46	65.0	30.0	38.5
RSBU - 30M	30.0	50	46	72.5	34.0	42.5
RSBU - 35M	35.0	55	50	76.0	35.5	46.5
RSBU - 38M	38.0	60	55	78.0	38.5	49.5
RSBU - 44.5M	44.5	70	65	82.0	40.0	60.5
RSBU - 57M	57.0	80	80	97.0	48.0	72.5

Part No.	N.P.S. (O.D.) D	h	H	L	l	G
RSBU - 01	1/8" (10.2)	24	22	52.0	22.0	18.2
RSBU - 02	1/4" (13.5)	30	27	55.0	24.0	23.3
RSBU - 03	3/8" (17.2)	32	30	60.0	26.5	26.3
RSBU - 04	1/2" (21.3)	41	36	63.0	28.0	32.5
RSBU - 06	3/4" (26.9)	46	46	65.0	30.0	38.5
RSBU - 08	1" (33.7)	55	50	72.5	34.0	46.5
RSBU - 10	1 1/4" (42.4)	65	65	80.0	39.0	58.5
RSBU - 12	1 1/2" (48.3)	75	70	85.0	41.0	64.5
RSBU - 16	2" (60.3)	85	85	100.0	49.0	76.5

All dimensions are in millimeters, dimensions are for reference only, subject to change.

Reducing Union  
**RSUR**



Part No.	Tube O.D.		h	L	l	H <sub>1</sub>	H <sub>2</sub>
	D <sub>1</sub>	D <sub>2</sub>					
RSUR 8M - 6M	8.0	6.0	17	32.5	16	19	17
RSUR 10M - 8M	10.0	8.0	19	34.0	17	22	19
RSUR 12M - 10M	12.0	10.0	22	37.0	18	24	22
RSUR 14M - 12M	14.0	12.0	24	37.0	18	27	24
RSUR 16M - 14M	16.0	14.0	27	39.0	20	30	27
RSUR 18M - 16M	18.0	16.0	27	42.0	23	30	30
RSUR 20M - 18M	20.0	18.0	30	46.0	23	32	30
RSUR 22M - 20M	22.0	20.0	36	47.0	23	36	32
RSUR 25M - 22M	25.0	22.0	36	47.0	23	41	36
RSUR 28M - 25M	28.0	25.0	41	47.5	23	46	41
RSUR 30M - 28M	30.0	28.0	46	51.5	27	46	46
RSUR 35M - 30M	35.0	30.0	46	56.5	29	50	46
RSUR 38M - 35M	38.0	35.0	50	58.0	28	55	50
RSUR 44.5M - 38M	44.5	38.0	65	63.0	32	65	55
RSUR 57M - 44.5M	57.0	44.5	75	68.0	35	80	65

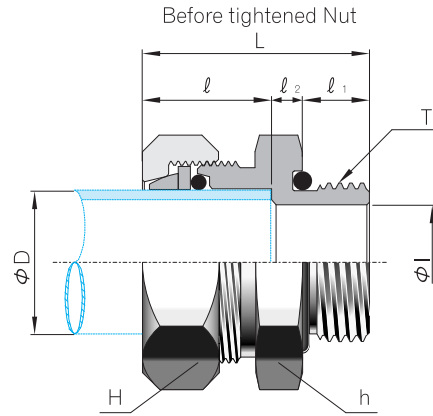
Part No.	N.P.S. (O.D.)		h	L	l	H <sub>1</sub>	H <sub>2</sub>
	D <sub>1</sub>	D <sub>2</sub>					
RSUR 02 - 01	1/4" (13.5)	1/8"	24	37.0	18	27	22
RSUR 03 - 02	3/8" (17.2)	1/4"	27	40.0	21	30	27
RSUR 04 - 03	1/2" (21.3)	3/8"	32	45.0	22	36	30
RSUR 06 - 04	3/4" (26.9)	1/2"	41	47.0	23	46	36
RSUR 08 - 06	1" (33.7)	3/4"	46	51.5	27	50	46
RSUR 10 - 08	1 1/4" (42.4)	1"	60	61.0	31	65	50
RSUR 12 - 10	1 1/2" (48.3)	1" 1/4"	65	64.5	33	70	65
RSUR 16 - 12	2" (60.3)	1" 1/2"	80	74.0	38	85	70

All dimensions are in millimeters. dimensions are for reference only, subject to change.

## RS Fittings

Male Connector (ISO Metric)

### RSOM-M



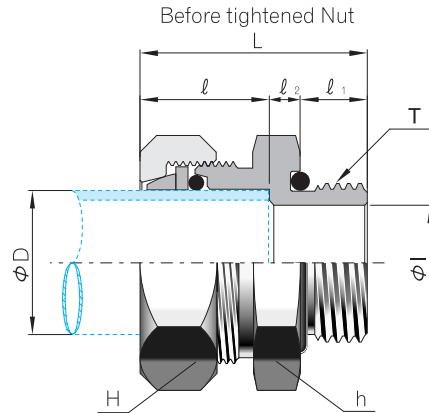
Part No.	Tube O.D. D	T	h	H	L	l	l <sub>1</sub>	l <sub>2</sub>	l
RSOM 6M - M10	6.0	M10X1.0P	17	17	27.5	16	7	4.5	4
RSOM 8M - M12	8.0	M12X1.0P	19	19	28.5	16	7	5.5	5
RSOM 10M - M14	10.0	M14X1.5P	22	22	32.0	17	9	6.0	6
RSOM 12M - M16	12.0	M16X1.5P	24	24	33.0	18	9	6.0	8
RSOM 14M - M18	14.0	M18X1.5P	25	27	35.0	18	11	6.0	10
RSOM 15M - M18	15.0	M18X1.5P	25	27	35.0	18	11	6.0	11
RSOM 16M - M20	16.0	M20X1.5P	27	30	37.0	20	11	6.0	12
RSOM 18M - M22	18.0	M22X1.5P	30	30	41.5	23	12	6.5	14
RSOM 20M - M24	20.0	M24X1.5P	36	32	41.5	23	12	6.5	16
RSOM 22M - M27	22.0	M27X1.5P	36	36	43.5	23	14	6.5	18
RSOM 25M - M30	25.0	M30X1.5P	41	41	43.5	23	14	6.5	20
RSOM 28M - M33	28.0	M33X2.0P	46	46	44.5	23	15	6.5	24
RSOM 30M - M33	30.0	M33X2.0P	46	46	48.5	27	15	6.5	24
RSOM 35M - M39	35.0	M39X2.0P	50	50	52.0	29	16	7.0	29
RSOM 38M - M42	38.0	M42X2.0P	55	55	52.0	28	16	8.0	32
RSOM 44.5M - M48	44.5	M48X2.0P	65	65	56.0	32	16	8.0	36
RSOM 57M - M60	57.0	M60X4.0P	75	80	62.0	35	18	9.0	46

Part No.	N.P.S. (O.D.) D	T	h	H	L	l	l <sub>1</sub>	l <sub>2</sub>	l
RSOM 01 - M14	1/8" (10.2)	M14X1.5P	22	22	31.5	17	9	5.5	6
RSOM 02 - M18	1/4" (13.5)	M18X1.5P	25	27	35.0	18	11	6.0	9
RSOM 03 - M20	3/8" (17.2)	M20X1.5P	27	30	38.0	21	11	6.0	12
RSOM 04 - M24	1/2" (21.3)	M24X1.5P	36	36	40.5	22	12	6.5	16
RSOM 06 - M30	3/4" (26.9)	M30X1.5P	41	46	43.5	23	14	6.5	20
RSOM 08 - M39	1" (33.7)	M39X2.0P	50	50	50.0	27	16	7.0	29
RSOM 10 - M45	1 1/4" (42.4)	M45X2.0P	60	65	55.0	31	16	8.0	34
RSOM 12 - M48	1 1/2" (48.3)	M48X2.0P	65	70	57.0	33	16	8.0	36
RSOM 16 - M60	2" (60.3)	M60X4.0P	80	85	62.5	38	18	8.5	46

All dimensions are in millimeters, dimensions are for reference only, subject to change.

Male Connector(BSP Paralleled)

**RSOM-G**



Part No.	Tube O.D. D	T G(PF)	h	H	L	l	l <sub>1</sub>	l <sub>2</sub>	I
RSOM 6M - 01G	6.0	1/8"	17	17	26.5	16	6	4.5	4
RSOM 8M - 02G	8.0	1/4"	22	19	29.5	16	8	5.5	5
RSOM 10M - 02G	10.0	1/4"	22	22	30.5	17	8	5.5	6
RSOM 12M - 03G	12.0	3/8"	24	24	32.0	18	8	6.0	8
RSOM 14M - 03G	14.0	3/8"	24	27	32.0	18	8	6.0	10
RSOM 15M - 04G	15.0	1/2"	32	27	34.5	18	10	6.5	11
RSOM 16M - 04G	16.0	1/2"	30	30	36.5	20	10	6.5	12
RSOM 18M - 04G	18.0	1/2"	32	30	39.5	23	10	6.5	13
RSOM 20M - 04G	20.0	1/2"	32	32	39.5	23	10	6.5	13
RSOM 22M - 04G	22.0	1/2"	36	36	39.5	23	10	6.5	13
RSOM 25M - 06G	25.0	3/4"	36	41	43.5	23	14	6.5	18
RSOM 28M - 08G	28.0	1"	46	46	43.5	23	14	6.5	24
RSOM 30M - 08G	30.0	1"	46	46	47.5	27	14	6.5	24
RSOM 35M - 10G	35.0	1 1/4"	55	50	53.0	29	16	8.0	30
RSOM 38M - 10G	38.0	1 1/4"	60	55	52.0	28	16	8.0	31
RSOM 44.5M - 12G	44.5	1 1/2"	65	65	56.0	32	16	8.0	36
RSOM 57M - 16G	57.0	2"	75	80	61.5	35	18	8.5	46

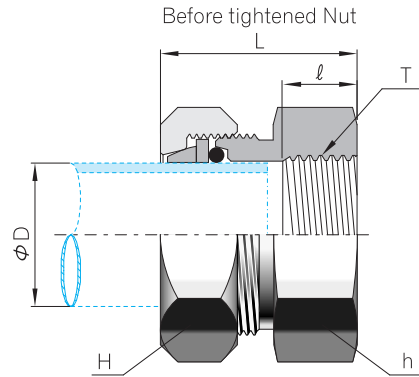
Part No.	N.P.S. (O.D.) D	T G(PF)	h	H	L	l	l <sub>1</sub>	l <sub>2</sub>	I
RSOM 01 - 01G	1/8" (10.2)	1/8"	19	22	30.5	17	8	5.5	6
RSOM 02 - 02G	1/4" (13.5)	1/4"	24	27	31.5	18	8	5.5	7
RSOM 03 - 03G	3/8" (17.2)	3/8"	27	30	35.0	21	8	6.0	10
RSOM 04 - 04G	1/2" (21.3)	1/2"	32	36	38.5	22	10	6.5	13
RSOM 06 - 06G	3/4" (26.9)	3/4"	41	46	43.5	23	14	6.5	18
RSOM 08 - 08G	1" (33.7)	1"	46	50	47.5	27	14	6.5	25
RSOM 10 - 10G	1 1/4" (42.4)	1 1/4"	60	65	55.0	31	16	8.0	31
RSOM 12 - 12G	1 1/2" (48.3)	1 1/2"	65	70	57.0	33	16	8.0	36
RSOM 16 - 16G	2" (60.3)	2"	80	85	64.5	38	18	8.5	46

All dimensions are in millimeters. dimensions are for reference only, subject to change.

# RS Fittings

Female Connector(ISO Metric)

## RSFC-M



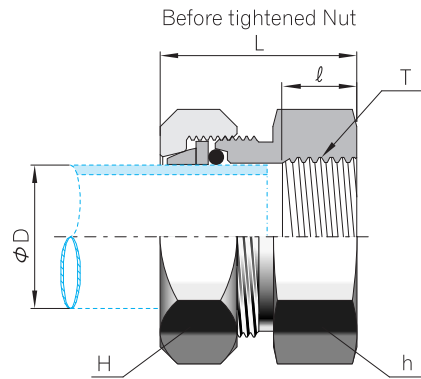
Part No.	Tube O.D. D	T	h	H	L	ℓ
RSFC 6M - M10	6.0	M10X1.0P	14	17	23,5	8
RSFC 8M - M12	8.0	M12X1.0P	17	19	23,5	8
RSFC 10M - M14	10.0	M14X1.5P	19	22	27.0	10
RSFC 12M - M16	12.0	M16X1.5P	22	24	27.5	10
RSFC 14M - M18	14.0	M18X1.5P	24	27	29,5	12
RSFC 15M - M18	15.0	M18X1.5P	24	27	29,5	12
RSFC 16M - M20	16.0	M20X1.5P	27	30	31,5	12
RSFC 18M - M22	18.0	M22X1.5P	30	30	33,5	13
RSFC 20M - M24	20.0	M24X1.5P	32	32	34,0	13
RSFC 22M - M27	22.0	M27X1.5P	36	36	35,0	15
RSFC 25M - M30	25.0	M30X1.5P	41	41	37,0	15
RSFC 28M - M33	28.0	M33X2.0P	41	46	38,0	16
RSFC 30M - M33	30.0	M33X2.0P	46	46	41,0	16
RSFC 35M - M39	35.0	M39X2.0P	46	50	44,0	17
RSFC 38M - M42	38.0	M42X2.0P	50	55	44,0	17
RSFC 44.5M - M48	44,5	M48X2.0P	65	65	46,0	17
RSFC 57M - M60	57,0	M60X4,0P	75	80	53,0	19

Part No.	N.P.S. (O.D.) D	T	h	H	L	ℓ
RSFC 01 - M14	1/8" (10,2)	M14X1.5P	19	22	27,0	10
RSFC 02 - M18	1/4" (13,5)	M18X1.5P	24	27	29,5	12
RSFC 03 - M20	3/8" (17,2)	M20X1.5P	27	30	32,0	12
RSFC 04 - M24	1/2" (21,3)	M24X1.5P	32	36	34,0	13
RSFC 06 - M30	3/4" (26,9)	M30X1.5P	41	46	37,0	15
RSFC 08 - M39	1" (33,7)	M39X2.0P	46	50	42,0	17
RSFC 10 - M45	1 1/4" (42,4)	M45X2.0P	60	65	45,0	17
RSFC 12 - M48	1 1/2" (48,3)	M48X2.0P	65	70	47,0	17
RSFC 16 - M60	2" (60,3)	M60X4,0P	80	85	56,0	19

All dimensions are in millimeters, dimensions are for reference only, subject to change.

Female Connector(BSP Paralleled)

**RSFC-G**



Part No.	Tube O.D. D	T G(PF)	h	H	L	l
RSFC 6M - 01G	6.0	1/8"	14	17	23.5	8.0
RSFC 8M - 02G	8.0	1/4"	19	19	25.5	10.0
RSFC 10M - 02G	10.0	1/4"	19	22	27.0	10.0
RSFC 12M - 03G	12.0	3/8"	22	24	30.0	12.0
RSFC 14M - 03G	14.0	3/8"	24	27	30.0	12.0
RSFC 15M - 04G	15.0	1/2"	27	27	33.0	13.5
RSFC 16M - 04G	16.0	1/2"	27	30	33.0	13.5
RSFC 18M - 04G	18.0	1/2"	27	30	34.0	13.5
RSFC 20M - 04G	20.0	1/2"	30	32	35.0	13.5
RSFC 22M - 04G	22.0	1/2"	36	36	35.0	13.5
RSFC 25M - 06G	25.0	3/4"	36	41	37.0	15.0
RSFC 28M - 08G	28.0	1"	41	46	41.0	18.5
RSFC 30M - 08G	30.0	1"	46	46	43.0	18.5
RSFC 35M - 10G	35.0	1 1/4"	50	50	48.0	20.5
RSFC 38M - 10G	38.0	1 1/4"	50	55	48.0	20.5
RSFC 44.5M - 12G	44.5	1 1/2"	65	65	50.0	21.5
RSFC 57M - 16G	57.0	2"	75	80	57.0	23.5

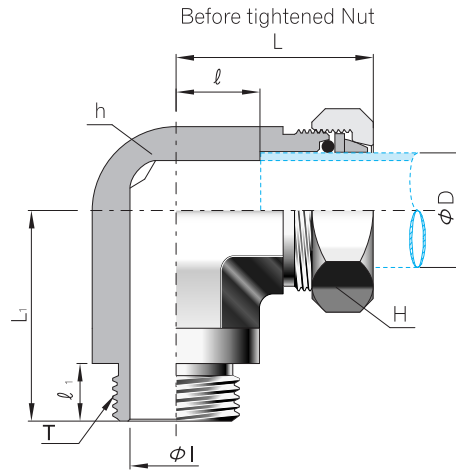
Part No.	N.P.S. (O.D.) D	T G(PF)	h	H	L	l
RSFC 01 - 01G	1/8" (10.2)	1/8"	19	22	27.0	10.0
RSFC 02 - 02G	1/4" (13.5)	1/4"	24	27	28.0	10.0
RSFC 03 - 03G	3/8" (17.2)	3/8"	27	30	33.0	12.0
RSFC 04 - 04G	1/2" (21.3)	1/2"	32	36	36.0	13.5
RSFC 06 - 06G	3/4" (26.9)	3/4"	41	46	38.0	15.0
RSFC 08 - 08G	1" (33.7)	1"	46	50	45.0	18.5
RSFC 10 - 10G	1 1/4" (42.4)	1 1/4"	60	65	51.0	20.5
RSFC 12 - 12G	1 1/2" (48.3)	1 1/2"	65	70	54.0	21.5
RSFC 16 - 16G	2" (60.3)	2"	80	85	62.0	23.5

All dimensions are in millimeters. dimensions are for reference only, subject to change.

## RS Fittings

Stud Male Elbow(ISO Metric)

### RSLM-M



Part No.	Tube O.D. D	T	h	H	L	L <sub>1</sub>	l	l <sub>1</sub>	I
RSLM 6M - M10	6	M10X1.0P	14	17	23.5	27.0	7.0	7	4
RSLM 8M - M12	8	M12X1.0P	17	19	27.5	30.0	8.0	7	5
RSLM 10M - M14	10	M14X1.5P	17	22	28.0	30.0	9.5	9	6
RSLM 12M - M16	12	M16X1.5P	22	24	33.0	37.0	10.5	9	8
RSLM 14M - M18	14	M18X1.5P	24	27	33.0	37.0	11.0	11	10
RSLM 15M - M18	15	M18X1.5P	24	27	36.5	37.0	13.0	11	11
RSLM 16M - M20	16	M20X1.5P	24	30	36.5	42.5	13.0	11	12
RSLM 18M - M22	18	M22X1.5P	30	30	37.5	42.5	13.5	12	14
RSLM 20M - M24	20	M24X1.5P	30	32	43.0	42.5	15.5	12	16
RSLM 22M - M27	22	M27X1.5P	32	36	44.0	49.0	18.0	14	18
RSLM 25M - M30	25	M30X1.5P	36	41	46.5	49.0	19.5	14	20
RSLM 28M - M33	28	M33X2.0P	41	46	46.5	55.0	21.0	15	24
RSLM 30M - M33	30	M33X2.0P	41	46	51.5	55.0	22.0	15	24
RSLM 35M - M39	35	M39X2.0P	46	50	57.0	64.0	26.0	16	29
RSLM 38M - M42	38	M42X2.0P	50	55	60.0	64.0	25.0	16	32

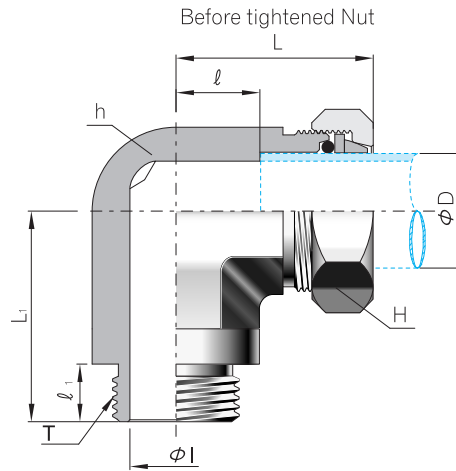
Part No.	N.P.S. (O.D.) D	T	h	H	L	L <sub>1</sub>	l	l <sub>1</sub>	I
RSLM 01 - M14	1/8" (10.2)	M14X1.5P	19	22	28.0	30.0	9.5	9	6
RSLM 02 - M18	1/4" (13.5)	M18X1.5P	24	27	33.0	37.0	11.0	11	9
RSLM 03 - M20	3/8" (17.2)	M20X1.5P	27	30	37.0	42.5	14.0	11	12
RSLM 04 - M24	1/2" (21.3)	M24X1.5P	32	36	43.0	42.5	18.0	12	16
RSLM 06 - M30	3/4" (26.9)	M30X1.5P	41	46	46.5	49.0	21.0	14	20
RSLM 08 - M39	1" (33.7)	M39X2.0P	46	50	55.5	64.0	21.0	16	29
RSLM 10 - M45	1 1/4" (42.4)	M45X2.0P	60	65	61.0	69.0	31.0	16	34
RSLM 12 - M48	1 1/2" (48.3)	M48X2.0P	65	70	68.0	69.0	33.0	16	36

All dimensions are in millimeters, dimensions are for reference only, subject to change.



Stub Female Adaptor(BSP Paralleled)

**RSLM-G**



Part No.	Tube O.D. D	T G(PF)	h	H	L	L <sub>1</sub>	l	l <sub>1</sub>	I
RSLM 6M - 01G	6.0	1/8"	14	17	23.5	27.0	7.0	6	4
RSLM 8M - 02G	8.0	1/4"	17	19	27.5	30.0	8.0	8	5
RSLM 10M - 02G	10.0	1/4"	17	22	28.0	30.0	9.5	8	6
RSLM 12M - 03G	12.0	3/8"	22	24	33.0	37.0	10.5	8	8
RSLM 14M - 03G	14.0	3/8"	24	27	33.0	37.0	11.0	8	10
RSLM 15M - 04G	15.0	1/2"	27	27	36.5	42.5	13.0	10	11
RSLM 16M - 04G	16.0	1/2"	27	30	36.5	42.5	13.0	10	12
RSLM 18M - 04G	18.0	1/2"	27	30	37.5	42.5	13.5	10	13
RSLM 20M - 04G	20.0	1/2"	30	32	43.0	42.5	15.5	10	13
RSLM 22M - 04G	22.0	1/2"	32	36	44.0	42.5	18.0	10	13
RSLM 25M - 06G	25.0	3/4"	36	41	46.5	49.0	19.5	14	18
RSLM 28M - 08G	28.0	1"	41	46	46.5	55.0	21.0	14	24
RSLM 30M - 08G	30.0	1"	41	46	51.5	55.0	22.0	14	24
RSLM 35M - 10G	35.0	1 1/4"	50	50	57.0	64.0	26.0	16	30
RSLM 38M - 10G	38.0	1 1/4"	50	55	60.0	64.0	25.0	16	31
RSLM 44.5M - 12G	44.5	1 1/2"	60	65	68.5	69.0	33.0	16	36

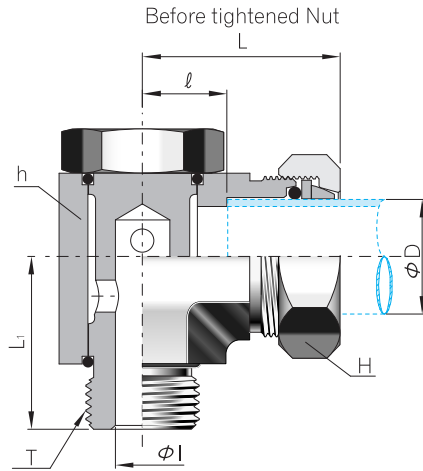
Part No.	N.P.S. (O.D.) D	T G(PF)	h	H	L	L <sub>1</sub>	l	l <sub>1</sub>	I
RSLM 01 - 01G	1/8" (10.2)	1/8"	17	22	28.0	30.0	9.5	8	6
RSLM 02 - 02G	1/4" (13.5)	1/4"	24	27	33.0	30.0	11.0	8	7
RSLM 03 - 03G	3/8" (17.2)	3/8"	27	30	37.0	37.0	14.0	8	10
RSLM 04 - 04G	1/2" (21.3)	1/2"	32	36	43.0	42.5	18.0	10	13
RSLM 06 - 06G	3/4" (26.9)	3/4"	41	46	46.5	49.0	21.0	14	18
RSLM 08 - 08G	1" (33.7)	1"	46	50	55.5	55.0	21.0	14	25
RSLM 10 - 10G	1 1/4" (42.4)	1 1/4"	60	65	61.0	64.0	31.0	16	31
RSLM 12 - 12G	1 1/2" (48.3)	1 1/2"	65	70	68.0	69.0	33.0	16	36

All dimensions are in millimeters. dimensions are for reference only, subject to change.

# RS Fittings

## Banjo Elbow Fitting

### RSBJ



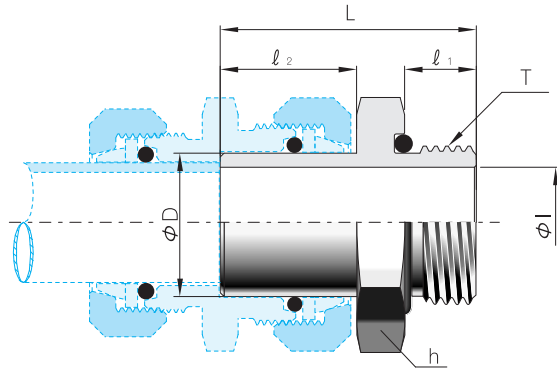
Part No.	Tube O.D. D	T G(PF)	h	H	L	L <sub>1</sub>	l	I
RSBJ 6M - 01G	6.0	1/8"	other dimensions accomplished upon request					
RSBJ 8M - 02G	8.0	1/4"						
RSBJ 10M - 02G	10.0	1/4"						
RSBJ 12M - 03G	12.0	3/8"						
RSBJ 14M - 03G	14.0	3/8"						
RSBJ 15M - 04G	15.0	1/2"						
RSBJ 16M - 04G	16.0	1/2"						
RSBJ 18M - 04G	18.0	1/2"						
RSBJ 20M - 04G	20.0	1/2"						
RSBJ 22M - 04G	22.0	1/2"						
RSBJ 25M - 06G	25.0	3/4"						
RSBJ 28M - 08G	28.0	1"						
RSBJ 30M - 08G	30.0	1"						
RSBJ 35M - 10G	35.0	1 1/4"						
RSBJ 38M - 10G	38.0	1 1/4"						
RSBJ 44.5M - 12G	44.5	1 1/2"						

Part No.	N.P.S. (O.D.) D	T G(PF)	h	H	L	L <sub>1</sub>	l	I
RSBJ 01 - 01G	1/8" (10.2)	1/8"	other dimensions accomplished upon request					
RSBJ 02 - 02G	1/4" (13.5)	1/4"						
RSBJ 03 - 03G	3/8" (17.2)	3/8"						
RSBJ 04 - 04G	1/2" (21.3)	1/2"						
RSBJ 06 - 06G	3/4" (26.9)	3/4"						
RSBJ 08 - 08G	1" (33.7)	1"						
RSBJ 10 - 10G	1 1/4" (42.4)	1 1/4"						
RSBJ 12 - 12G	1 1/2" (48.3)	1 1/2"						

All dimensions are in millimeters, dimensions are for reference only, subject to change.

Stub Male Adaptor(ISO Metric)

**RSA-M**



Part No.	Tube O.D. D	T	h	L	l <sub>1</sub>	l <sub>2</sub>	I
RSA 6M - M10	6.0	M10X1.0P	17	27.5	7	16	4
RSA 8M - M12	8.0	M12X1.0P	19	30.5	7	18	5
RSA 10M - M14	10.0	M14X1.5P	22	32.5	9	18	6
RSA 12M - M16	12.0	M16X1.5P	24	35.0	9	20	8
RSA 14M - M18	14.0	M18X1.5P	25	36.5	11	20	10
RSA 15M - M18	15.0	M18X1.5P	25	39.0	11	22	11
RSA 16M - M20	16.0	M20X1.5P	27	39.0	11	22	12
RSA 18M - M22	18.0	M22X1.5P	30	42.5	12	24	14
RSA 20M - M24	20.0	M24X1.5P	32	44.5	12	26	16
RSA 22M - M27	22.0	M27X1.5P	36	46.5	14	28	18
RSA 25M - M30	25.0	M30X1.5P	41	50.5	14	30	20
RSA 28M - M33	28.0	M33X2.0P	46	51.5	15	30	24
RSA 30M - M33	30.0	M33X2.0P	46	53.5	15	32	24
RSA 35M - M39	35.0	M39X2.0P	50	57.0	16	34	29
RSA 38M - M42	38.0	M42X2.0P	55	60.0	16	36	32
RSA 44.5M - M48	44.5	M48X2.0P	60	62.0	16	40	36
RSA 57M - M60	57.0	M60X4.0P	75	72.0	18	46	46

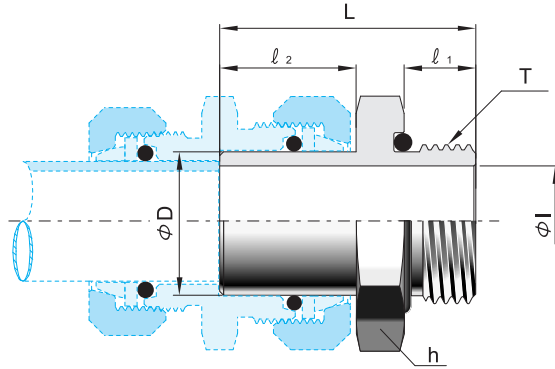
Part No.	N.P.S. (O.D.) D	T	h	L	l <sub>1</sub>	l <sub>2</sub>	I
RSA 01 - M14	1/8" (10.2)	M14X1.5P	22	32.5	9	18	6
RSA 02 - M18	1/4" (13.5)	M18X1.5P	25	36.5	11	20	9
RSA 03 - M20	3/8" (17.2)	M20X1.5P	27	41.0	11	24	12
RSA 04 - M24	1/2" (21.3)	M24X1.5P	32	44.5	12	26	16
RSA 06 - M30	3/4" (26.9)	M30X1.5P	41	50.5	14	30	20
RSA 08 - M39	1" (33.7)	M39X2.0P	50	56.5	16	34	29
RSA 10 - M45	1 1/4" (42.4)	M45X2.0P	55	64.0	16	40	34
RSA 12 - M48	1 1/2" (48.3)	M48X2.0P	60	66.0	16	42	36
RSA 16 - M60	2" (60.3)	M60X4.0P	75	75.0	18	49	46

All dimensions are in millimeters. dimensions are for reference only, subject to change.

## RS Fittings

Stub Male Adaptor(BSP Paralleled)

### RSA-G



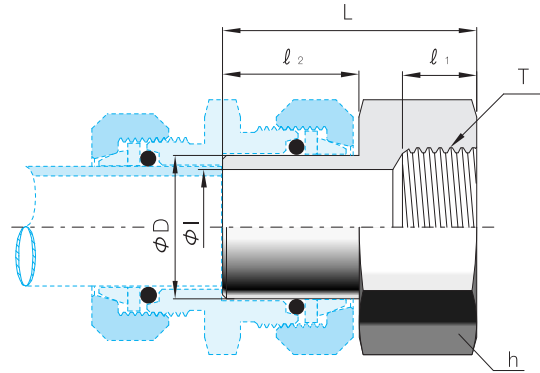
Part No.	Tube O.D. D	T G(PF)	h	L	$l_1$	$l_2$	I
RSA 6M - 01G	6.0	1/8"	17	28	6	16	4
RSA 8M - 02G	8.0	1/4"	22	33	8	18	5
RSA 10M - 02G	10.0	1/4"	22	33	8	18	6
RSA 12M - 03G	12.0	3/8"	24	35	8	20	8
RSA 14M - 03G	14.0	3/8"	24	35	8	20	10
RSA 15M - 04G	15.0	1/2"	30	41	10	22	11
RSA 16M - 04G	16.0	1/2"	30	41	10	22	12
RSA 18M - 04G	18.0	1/2"	30	43	10	24	13
RSA 20M - 04G	20.0	1/2"	30	45	10	26	13
RSA 22M - 04G	22.0	1/2"	30	47	10	28	13
RSA 25M - 06G	25.0	3/4"	36	53	14	30	18
RSA 28M - 08G	28.0	1"	41	55	14	30	24
RSA 30M - 08G	30.0	1"	41	57	14	32	24
RSA 35M - 10G	35.0	1 1/4"	55	66	16	34	30
RSA 38M - 10G	38.0	1 1/4"	55	68	16	36	31
RSA 44.5M - 12G	44.5	1 1/2"	60	72	16	40	36
RSA 57M - 16G	57.0	2"	75	80	18	46	46

Part No.	N.P.S. (O.D.) D	T G(PF)	h	L	$l_1$	$l_2$	I
RSA 01 - 01G	1/8" (10.2)	1/8"	17	33	8	18	6
RSA 02 - 02G	1/4" (13.5)	1/4"	22	35	8	20	7
RSA 03 - 03G	3/8" (17.2)	3/8"	24	39	8	24	10
RSA 04 - 04G	1/2" (21.3)	1/2"	30	45	10	26	13
RSA 06 - 06G	3/4" (26.9)	3/4"	36	53	14	30	18
RSA 08 - 08G	1" (33.7)	1"	41	59	14	34	25
RSA 10 - 10G	1 1/4" (42.4)	1 1/4"	55	72	16	40	31
RSA 12 - 12G	1 1/2" (48.3)	1 1/2"	60	74	16	42	36
RSA 16 - 16G	2" (60.3)	2"	75	83	18	49	46

All dimensions are in millimeters, dimensions are for reference only, subject to change.

Stub Female Adaptor(ISO Metric)

**RSAF-M**



Part No.	Tube O.D. D	T	h	L	$l_1$	$l_2$	I
RSAF 6M - M10	6.0	M10X1.0P	14	27.5	8	16	4
RSAF 8M - M12	8.0	M12X1.0P	17	30.0	8	18	5
RSAF 10M - M14	10.0	M14X1.5P	19	32.5	10	18	6
RSAF 12M - M16	12.0	M16X1.5P	22	34.5	10	20	8
RSAF 14M - M18	14.0	M18X1.5P	24	37.0	12	20	10
RSAF 15M - M18	15.0	M18X1.5P	24	39.0	12	22	11
RSAF 16M - M20	16.0	M20X1.5P	27	39.0	12	22	12
RSAF 18M - M22	18.0	M22X1.5P	30	42.0	13	24	14
RSAF 20M - M24	20.0	M24X1.5P	32	44.0	13	26	16
RSAF 22M - M27	22.0	M27X1.5P	36	48.0	15	28	18
RSAF 25M - M30	25.0	M30X1.5P	41	50.0	15	30	20
RSAF 28M - M33	28.0	M33X2.0P	41	51.0	16	30	24
RSAF 30M - M33	30.0	M33X2.0P	41	53.0	16	32	24
RSAF 35M - M39	35.0	M39X2.0P	46	56.0	17	34	29
RSAF 38M - M42	38.0	M42X2.0P	50	58.0	17	36	32
RSAF 44.5M - M48	44.5	M48X2.0P	60	62.5	17	40	36
RSAF 57M - M60	57.0	M60X4.0P	70	71.0	19	46	46

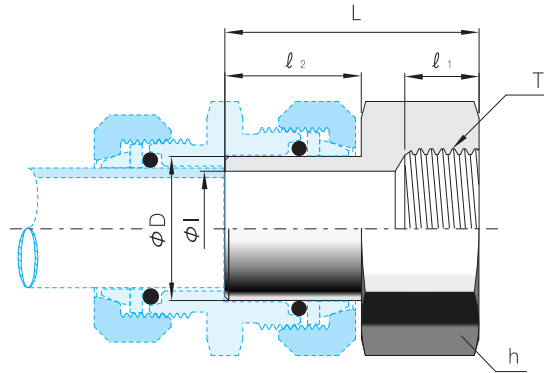
Part No.	N.P.S. (O.D.) D	T	h	L	$l_1$	$l_2$	I
RSAF 01 - M14	1/8" (10.2)	M14X1.5P	19	32.5	10	18	6
RSAF 02 - M18	1/4" (13.5)	M18X1.5P	24	37.0	12	20	9
RSAF 03 - M20	3/8" (17.2)	M20X1.5P	27	41.0	12	24	12
RSAF 04 - M24	1/2" (21.3)	M24X1.5P	32	44.0	13	26	16
RSAF 06 - M30	3/4" (26.9)	M30X1.5P	41	50.0	15	30	20
RSAF 08 - M39	1" (33.7)	M39X2.0P	46	56.0	17	34	27
RSAF 10 - M45	1 1/4" (42.4)	M45X2.0P	55	62.5	17	40	34
RSAF 12 - M48	1 1/2" (48.3)	M48X2.0P	60	64.5	17	42	36
RSAF 16 - M60	2" (60.3)	M60X4.0P	70	74.0	19	49	46

All dimensions are in millimeters. dimensions are for reference only, subject to change.

## RS Fittings

Stub Female Adaptor(BSP Paralleled)

### RSAF-G

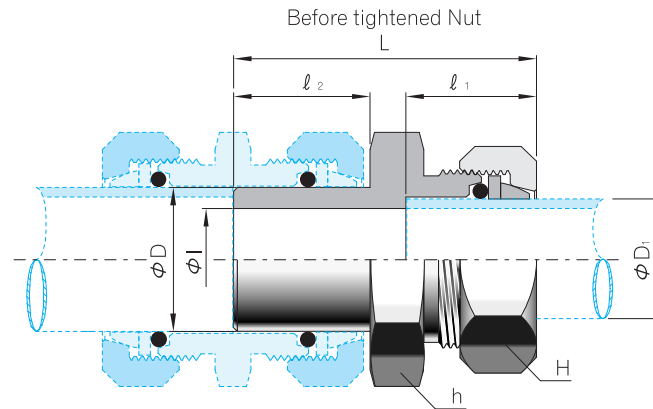


Part No.	Tube O.D. D	T G(PF)	h	L	l <sub>1</sub>	l <sub>2</sub>	I
RSAF 6M - 01G	6.0	1/8"	14	27.5	8.0	16	4
RSAF 8M - 02G	8.0	1/4"	19	32.0	10.0	18	5
RSAF 10M - 02G	10.0	1/4"	19	32.0	10.0	18	6
RSAF 12M - 03G	12.0	3/8"	22	36.5	12.0	20	8
RSAF 14M - 03G	14.0	3/8"	22	36.5	12.0	20	10
RSAF 15M - 04G	15.0	1/2"	27	40.0	13.5	22	11
RSAF 16M - 04G	16.0	1/2"	27	40.0	13.5	22	12
RSAF 18M - 04G	18.0	1/2"	27	42.0	13.5	24	14
RSAF 20M - 04G	20.0	1/2"	27	44.0	13.5	26	16
RSAF 22M - 04G	22.0	1/2"	27	46.0	13.5	28	18
RSAF 25M - 06G	25.0	3/4"	32	50.0	15.0	30	21
RSAF 28M - 08G	28.0	1"	41	53.0	18.5	30	24
RSAF 30M - 08G	30.0	1"	41	55.0	18.5	32	24
RSAF 35M - 10G	35.0	1 1/4"	50	59.5	20.5	34	30
RSAF 38M - 10G	38.0	1 1/4"	50	61.5	20.5	36	32
RSAF 44.5M - 12G	44.5	1 1/2"	60	67.0	21.5	40	38
RSAF 57M - 16G	57.0	2"	70	75.5	23.5	46	51

Part No.	N.P.S. (O.D.) D	T G(PF)	h	L	l <sub>1</sub>	l <sub>2</sub>	I
RSAF 01 - 01G	1/8" (10.2)	1/8"	14	32.0	10.0	18	6
RSAF 02 - 02G	1/4" (13.5)	1/4"	19	34.0	10.0	20	9
RSAF 03 - 03G	3/8" (17.2)	3/8"	22	40.5	12.0	24	12
RSAF 04 - 04G	1/2" (21.3)	1/2"	27	44.0	13.5	26	16
RSAF 06 - 06G	3/4" (26.9)	3/4"	32	50.0	15.0	30	21
RSAF 08 - 08G	1" (33.7)	1"	41	57.0	18.5	34	27
RSAF 10 - 10G	1 1/4" (42.4)	1 1/4"	50	65.5	20.5	40	36
RSAF 12 - 12G	1 1/2" (48.3)	1 1/2"	60	69.0	21.5	42	42
RSAF 16 - 16G	2" (60.3)	2"	70	78.5	23.5	49	52

All dimensions are in millimeters, dimensions are for reference only, subject to change.

Reducing Union Adaptor  
**RSR**



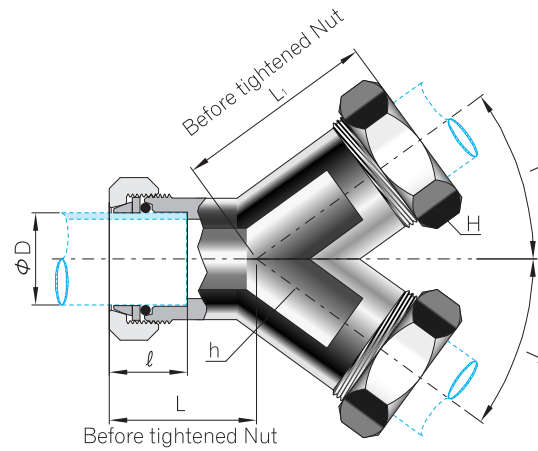
Part No.	Tube O.D.		h	H	L	$l_1$	$l_2$	I
	D <sub>1</sub>	D <sub>2</sub>						
RSR 8M - 6M	8.0	6	14	17	37.5	16	18	4
RSR 10M - 8M	10.0	8	17	19	37.5	16	18	6
RSR 12M - 10M	12.0	10	19	22	40.5	17	20	8
RSR 14M - 10M	14.0	10	19	22	40.5	17	20	8
RSR 15M - 12M	15.0	12	22	24	44.0	18	22	10
RSR 16M - 14M	16.0	14	24	27	44.5	18	22	12
RSR 18M - 16M	18.0	16	27	30	48.5	20	24	14
RSR 20M - 16M	20.0	16	27	30	50.5	20	26	14
RSR 22M - 16M	22.0	16	27	30	52.5	20	28	14
RSR 25M - 22M	25.0	22	36	36	58.0	23	30	18
RSR 28M - 22M	28.0	22	36	36	58.0	23	30	18
RSR 30M - 22M	30.0	22	36	36	60.0	23	32	18
RSR 35M - 28M	35.0	28	41	46	62.0	23	34	25
RSR 38M - 28M	38.0	28	41	46	64.0	23	36	25
RSR 44.5M - 35M	44.5	35	46	50	74.5	29	40	29
RSR 57M - 38M	57.0	38	50	55	78.5	28	46	32

Part No.	N.P.S. (O.D.)		h	H	L	$l_1$	$l_2$	I
	D <sub>1</sub>	D <sub>2</sub>						
RSR 02 - 01	1/4" (13.5)	1/8"	19	22	40.5	17	20	8
RSR 03 - 02	3/8" (17.2)	1/4"	24	27	46.0	18	24	12
RSR 04 - 03	1/2" (21.3)	3/8"	27	30	51.5	21	26	14
RSR 06 - 04	3/4" (26.9)	1/2"	32	36	57.0	22	30	16
RSR 08 - 06	1" (33.7)	3/4"	41	46	62.0	23	34	20
RSR 10 - 08	1 1/4" (42.4)	1"	46	50	72.0	27	40	29
RSR 12 - 10	1 1/2" (48.3)	1 1/4"	60	65	78.0	31	42	34
RSR 16 - 12	2" (60.3)	1 1/2"	65	70	87.5	33	49	36

All dimensions are in millimeters. dimensions are for reference only, subject to change.

# RS Fittings

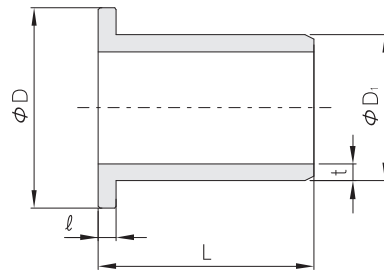
## Y-Branch RSYB



Part No.	Tube O.D. D	T°	h	H	L	L <sub>1</sub>	ℓ
RSYB - 22M	22	36	30	36	45	63	26

Part No.	N.P.S. (O.D.) D	T°	h	H	L	L <sub>1</sub>	ℓ
RSYB - 08	1" (33.7)	36	46	50	48	66	20
RSYB - 10	1 1/4" (42.4)	30	50	65	36	89	25

## Tube Insert SRI

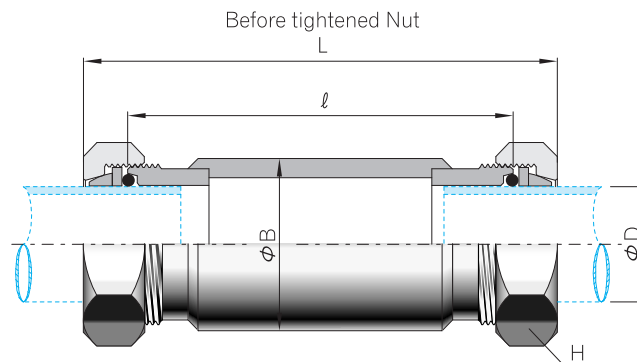


Part No.	Tube O.D. D	D <sub>1</sub>	L	ℓ	t
SRI 6M	6	"D1" Dimension according tube thickness.	14.0	1.0	0.7
SRI 8M	8		16.0	1.0	1.0
SRI 10M	10		18.0	1.0	1.0
SRI 12M	12		18.0	1.0	1.5
SRI 14M	14		18.5	1.0	1.5
SRI 15M	15		20.0	1.0	1.5
SRI 16M	16		20.5	1.0	1.5
SRI 18M	18		20.5	1.0	2.0
SRI 20M	20		21.0	1.5	2.0
SRI 22M	22		22.0	1.5	2.0
SRI 25M	25		23.0	1.5	3.0
SRI 28M	28		23.0	1.5	3.0
SRI 30M	30		24.0	2.0	3.0
SRI 35M	35		26.0	2.0	4.0
SRI 38M	38		28.0	2.0	4.0
SRI 45M	44.5		31.0	2.5	4.0
SRI 57M	57		37.0	2.5	5.0

All dimensions are in millimeters, dimensions are for reference only, subject to change.



Bridge Coupling  
**RSBC**



Part No.	Tube O.D. D	B	H	L			
				l = 85	l = 100	l = 150	l = 200
RSBC - 6M	6.0	20.0	17	99	114	164	214
RSBC - 8M	8.0	20.0	19	99	114	164	214
RSBC - 10M	10.0	25.0	22	101	116	166	216
RSBC - 12M	12.0	25.0	24	101	116	166	216
RSBC - 14M	14.0	30.0	27	101	116	166	216
RSBC - 15M	15.0	30.0	27	103	118	168	218
RSBC - 16M	16.0	30.0	30	103	118	168	218
RSBC - 18M	18.0	30.0	30	105	120	170	220
RSBC - 20M	20.0	35.0	32	105	120	170	220
RSBC - 22M	22.0	35.0	36	105	120	170	220
RSBC - 25M	25.0	38.0	41	107	122	172	222
RSBC - 28M	28.0	40.0	46	107	122	172	222
RSBC - 30M	30.0	45.0	46	107	122	172	222
RSBC - 35M	35.0	51.0	50	111	126	176	226
RSBC - 38M	38.0	54.0	55	109	124	174	224
RSBC - 44.5M	44.5	63.5	65	111	126	176	226
RSBC - 57M	57.0	76.1	80	113	128	178	228

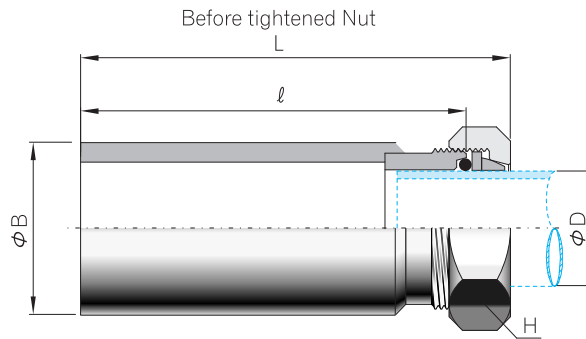
Part No.	N.P.S. (O.D.) D	B	H	L			
				l = 85	l = 100	l = 150	l = 200
RSBC - 01	1/8" (10.2)	25.0	22	101	116	166	216
RSBC - 02	1/4" (13.5)	30.0	27	101	116	166	216
RSBC - 03	3/8" (17.2)	30.0	30	103	118	168	218
RSBC - 04	1/2" (21.3)	35.0	36	105	120	170	220
RSBC - 06	3/4" (26.9)	40.0	46	105	120	170	220
RSBC - 08	1" (33.7)	51.0	50	107	122	172	222
RSBC - 10	1 1/4" (42.4)	60.3	65	111	126	176	226
RSBC - 12	1 1/2" (48.3)	70.0	70	111	126	176	226
RSBC - 16	2" (60.3)	82.5	85	115	130	180	230

All dimensions are in millimeters. dimensions are for reference only, subject to change.

# RS Fittings

## Bridge Half Coupling

### RSBHC

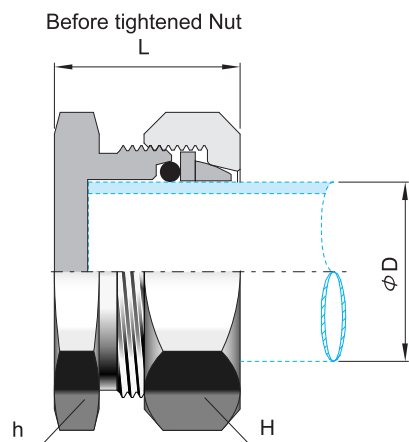


Part No.	Tube O.D. D	B	H	L			
				l = 85	l = 100	l = 150	l = 200
RSBHC - 6M	6.0	20.0	17	92	107	157	207
RSBHC - 8M	8.0	20.0	19	92	107	157	207
RSBHC - 10M	10.0	25.0	22	93	108	158	208
RSBHC - 12M	12.0	25.0	24	93	108	158	208
RSBHC - 14M	14.0	30.0	27	93	108	158	208
RSBHC - 15M	15.0	30.0	27	94	109	159	209
RSBHC - 16M	16.0	30.0	30	94	109	159	209
RSBHC - 18M	18.0	30.0	30	95	110	160	210
RSBHC - 20M	20.0	35.0	32	95	110	160	210
RSBHC - 22M	22.0	35.0	36	95	110	160	210
RSBHC - 25M	25.0	38.0	41	96	111	161	211
RSBHC - 28M	28.0	40.0	46	96	111	161	211
RSBHC - 30M	30.0	45.0	46	96	111	161	211
RSBHC - 35M	35.0	51.0	50	98	113	163	213
RSBHC - 38M	38.0	54.0	55	97	112	162	212
RSBHC - 44.5M	44.5	63.5	65	98	113	163	213
RSBHC - 57M	57.0	76.1	80	99	114	164	214

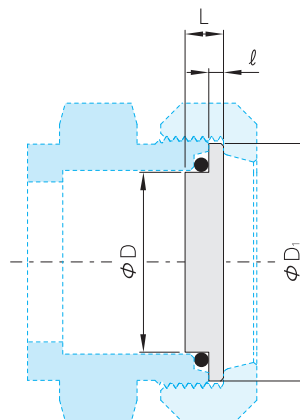
Part No.	N.P.S. (O.D.) D	B	H	L			
				l = 85	l = 100	l = 150	l = 200
RSBHC - 01	1/8" (10.2)	25.0	22	93	108	158	208
RSBHC - 02	1/4" (13.5)	30.0	27	93	108	158	208
RSBHC - 03	3/8" (17.2)	30.0	30	94	109	159	209
RSBHC - 04	1/2" (21.3)	35.0	36	95	110	160	210
RSBHC - 06	3/4" (26.9)	40.0	46	95	110	160	210
RSBHC - 08	1" (33.7)	51.0	50	96	111	161	211
RSBHC - 10	1 1/4" (42.4)	60.3	65	98	113	163	213
RSBHC - 12	1 1/2" (48.3)	70.0	70	98	113	163	213
RSBHC - 16	2" (60.3)	82.5	85	100	115	165	215

All dimensions are in millimeters, dimensions are for reference only, subject to change.

Plug  
**RSP**



Cap  
**RSCA**



Part No.	Tube O.D. D	h	H	L
RSP - 6M	6.0	14	17	17.5
RSP - 8M	8.0	17	19	17.5
RSP - 10M	10.0	19	22	19.0
RSP - 12M	12.0	22	24	19.0
RSP - 14M	14.0	24	27	20.0
RSP - 15M	15.0	24	27	22.0
RSP - 16M	16.0	27	30	22.0
RSP - 18M	18.0	27	30	23.0
RSP - 20M	20.0	30	32	23.5
RSP - 22M	22.0	36	36	25.0
RSP - 25M	25.0	36	41	25.0
RSP - 28M	28.0	41	46	25.0
RSP - 30M	30.0	46	46	28.0
RSP - 35M	35.0	46	50	31.5
RSP - 38M	38.0	50	55	32.5
RSP - 44.5M	44.5	65	65	34.0
RSP - 57M	57.0	75	80	40.0

Part No.	Tube O.D. D	h	H	L
RSCA - 6M	6.0	3.5	1.5	12.0
RSCA - 8M	8.0	3.5	1.5	14.0
RSCA - 10M	10.0	3.5	1.5	16.0
RSCA - 12M	12.0	4.5	1.5	18.9
RSCA - 14M	14.0	4.5	1.5	20.9
RSCA - 15M	15.0	4.5	1.5	21.9
RSCA - 16M	16.0	5.0	2.0	22.9
RSCA - 18M	18.0	5.0	2.0	24.8
RSCA - 20M	20.0	5.0	2.0	26.8
RSCA - 22M	22.0	6.0	2.0	30.8
RSCA - 25M	25.0	6.5	2.5	33.8
RSCA - 28M	28.0	6.5	2.5	36.0
RSCA - 30M	30.0	6.5	2.5	39.7
RSCA - 35M	35.0	6.5	2.5	43.7
RSCA - 38M	38.0	6.5	2.5	46.7
RSCA - 44.5M	44.5	9.0	3.0	57.6
RSCA - 57M	57.0	9.0	3.0	69.6

Part No.	N.P.S. (O.D.) D	h	H	L
RSP - 01	1/8" (10.2)	19	22	19.0
RSP - 02	1/4" (13.5)	24	27	20.0
RSP - 03	3/8" (17.2)	27	30	22.5
RSP - 04	1/2" (21.3)	32	36	24.0
RSP - 06	3/4" (26.9)	41	46	25.0
RSP - 08	1" (33.7)	46	50	28.0
RSP - 10	1 1/4" (42.4)	60	65	33.0
RSP - 12	1 1/2" (48.3)	65	70	35.0
RSP - 16	2" (60.3)	80	85	41.0

Part No.	N.P.S. (O.D.) D	h	H	L
RSCA - 01	1/8" (10.2)	3.5	1.5	16.0
RSCA - 02	1/4" (13.5)	4.5	1.5	20.9
RSCA - 03	3/8" (17.2)	5.0	2.0	23.9
RSCA - 04	1/2" (21.3)	6.0	2.0	29.8
RSCA - 06	3/4" (26.9)	6.5	2.5	36.0
RSCA - 08	1" (33.7)	6.5	2.5	43.7
RSCA - 10	1 1/4" (42.4)	9.0	3.0	55.7
RSCA - 12	1 1/2" (48.3)	9.0	3.0	60.6
RSCA - 16	2" (60.3)	9.0	3.0	73.6

All dimensions are in millimeters. dimensions are for reference only, subject to change.



Distributed by :